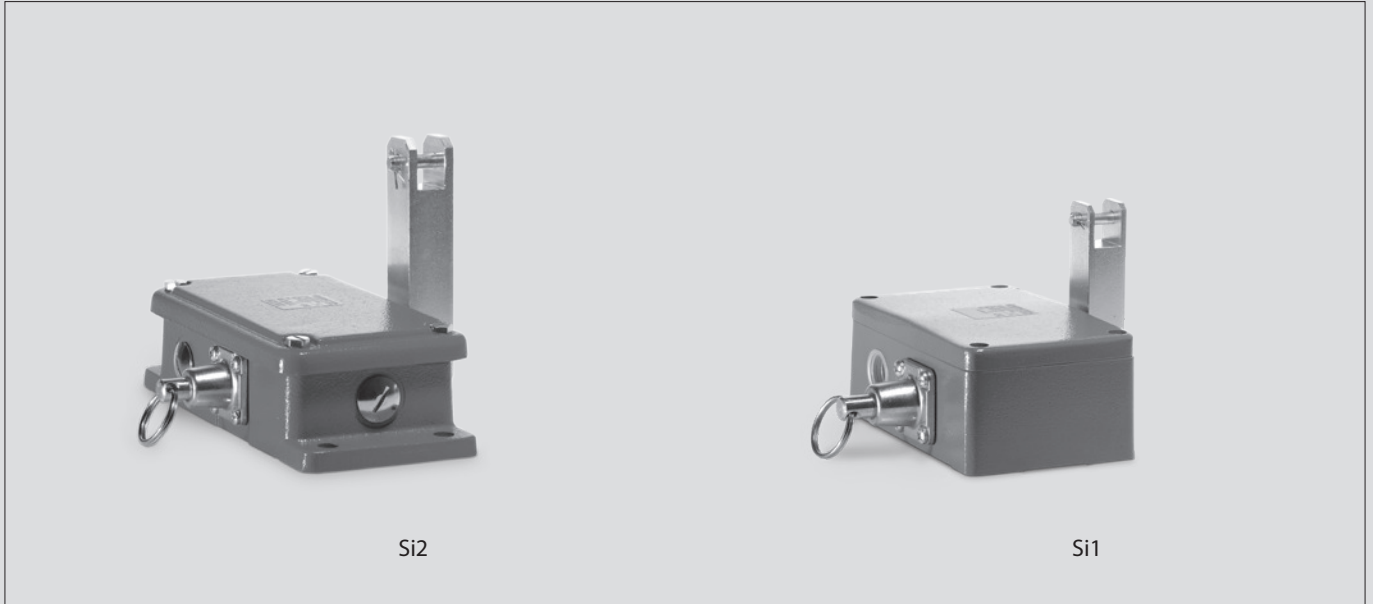


# Double-Spanned Rope Pull Switches

## Si1, Si2

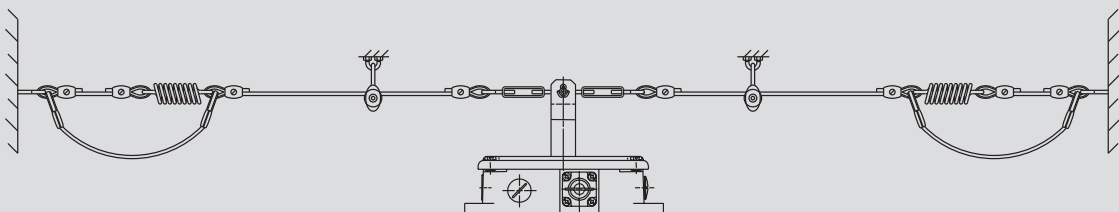
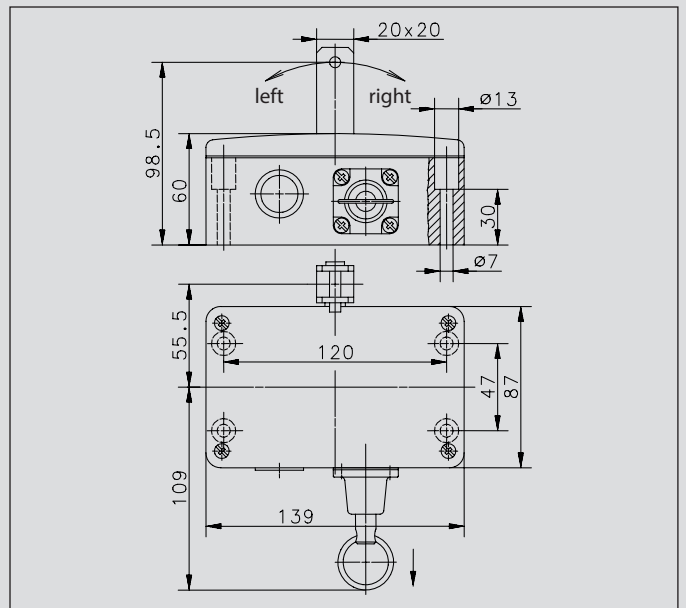


BERNSTEIN double-spanned rope pull switches (Si1 and Si2) are also used in emergency stop applications. When the cable is pulled the switching lever is deflected in the corresponding direction and the system shut down.

The switches are available in two metal versions, the Si1 and Si2.

**These types of rope pull switch are ideally suited for applications with high temperature fluctuations and long cable spans. With their sturdy enclosure, the Si1 and Si2 are the perfect switches for harsh environments.**

Two cables spanned in opposite directions are attached to the switching device. The countersprings are secured to the wall at the ends of the cables. Provided the change in temperature is the same at all points along the cable, the springs will effectively compensate for the change in cable length.



## Product selection

Designation	Article number	Max. span length
SI1-U2Z AK R-RAST	6014735001	2 x 50 m
SI1-U1Z/U1Z AK R-RAST	6014735025	2 x 50 m
SI2-U2Z AK R-RAST	6015735002	2 x 50 m

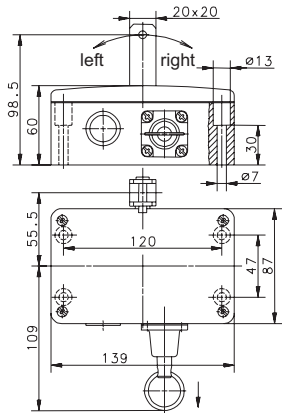
## Technical data

Technical data		Si1	Si2
<b>Electrical data</b>			
Rated insulation voltage	$U_i$	250 V AC	400 V AC
Rated operating voltage	$U_e$	250 V	240 V
Conventional thermal current	$I_{the}$	10 A	10 A
Utilisation category		AC-15, $U_e / I_e$ 240 V / 3 A	AC-15, $U_e / I_e$ 240 V / 3 A
Positive opening action	⊕	as per IEC/EN 60947-5-1, Addendum K	as per IEC/EN 60947-5-1, Addendum K
Short-circuit protection		Fuse 6 A gL/gG	Fuse 10 A gL/gG
Protection class		I	I
<b>Mechanical data</b>			
Enclosure		Aluminium sand casting	Cast iron
Cover		Aluminium sand casting	Cast iron
Actuation		Lever (GRP)	Lever (GRP)
Ambient temperature		- 30°C to + 80°C	- 30°C to + 80°C
Contact type		2 NC / 2 NO contact (Zb)	2 NC / 2 NO contact (Zb)
Mechanical service life (up to) <sup>①</sup>		1 x 10 <sup>6</sup> switching cycles	1 x 10 <sup>6</sup> switching cycles
Switching frequency max.		≤ 10 / min.	≤ 10 / min.
Mounting		4 x M8	4 x M8
B10d (up to) <sup>①</sup>		2 mill.	2 mill.
Type of connection		8 Screw connections (M3, 5)	8 Screw connections (M3, 5)
Conductor cross sections		Single-wire 0.5 – 1.5 mm <sup>2</sup> or Stranded wire with ferrule 0.5 – 1.5 mm <sup>2</sup>	Single-wire 0.5 – 1.5 mm <sup>2</sup> or Stranded wire with ferrule 0.5 – 1.5 mm <sup>2</sup>
Cable entry		1 x M20 x 1.5	3 x M20 x 1.5
Weight		≈ 1.62 kg	≈ 4.21 kg
Installation position		Any	Any
Protection class		IP65 conforming to EN 60529	IP65 conforming to EN 60529
<b>Standards</b>			
VDE 0660 T100, DIN EN 60947-1, IEC 60947-1 VDE 0660 T200, DIN EN 60947-5-1, IEC 60947-5-1			

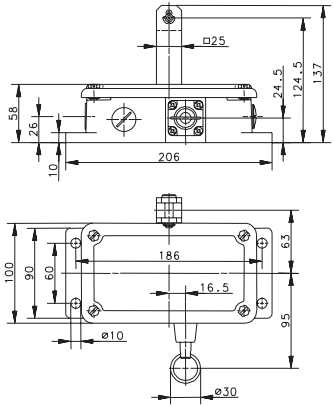
① Depending on switching system. See Table on Pages 72 – 75.

# Double-Spanned Rope Pull Switches

SI1



SI2



**Variant 1**

**Article No.**  
**Designation**  
Max. span

**6014735001**  
SI1-U2Z AK R-RAST  
2 x 50 m

**6015735002**  
SI2-U2Z AK R-RAST  
2 x 50 m

**Variant 2**

**Article No.**  
**Designation**  
Max. span

**6014735025**  
SI1-U1Z/U1Z AK R-RAST  
2 x 50 m

**Variant 3**

**Article No.**  
**Designation**  
Max. span

**Technical Data**

Rated insulation voltage  $U_i$  max.  
Rated operating voltage  $U_e$  max  
Conventional thermal current  $I_{thc}$   
Utilisation category  $U_e/I_e$

250 V AC  
240 V  
10 A  
AC-15, 240 V/3 A

400 V AC  
240 V  
10 A  
AC-15, 240 V/3 A

Approvals

